

Shades at ARKANSAS LIGHTING

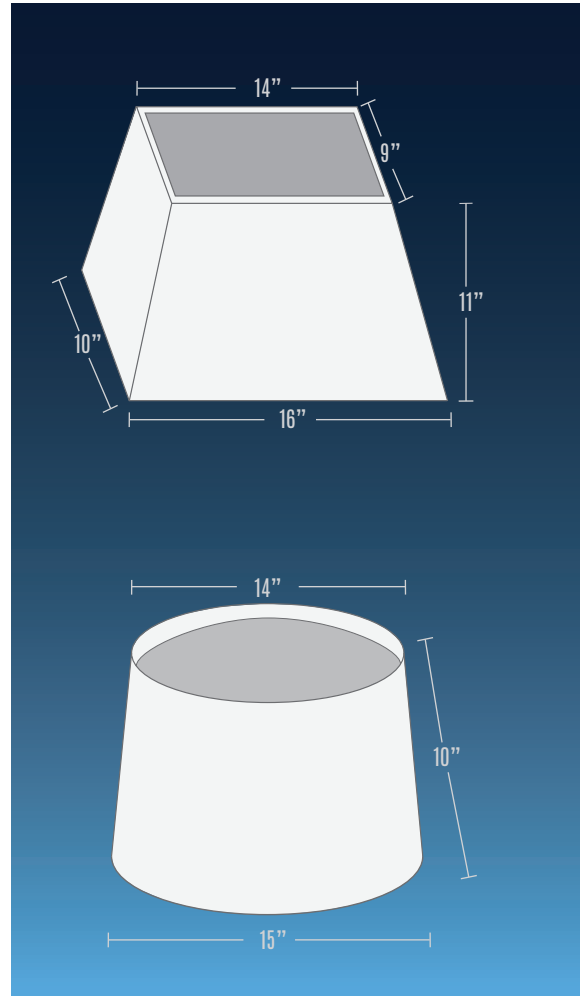
How to Measure a Shade:

When you are ordering, we need to know all of these dimensions to accurately manufacture your shade.

Square Shade:

Top (length x width) x Bottom (length x width) x Slant Height.

Example: a 9x14x10x16x11 has a top ring that is 9" by 14", the bottom ring is 10" by 16" and it is 11" tall.



Round Shade:

Top Diameter x Bottom Diameter x Slant Height.

Example: 14x15x10 is 14" across the top, 15" across the bottom and 10" tall.

In addition, the distance from the top of the shade to the center of the top ring is called the "drop". On lamps that use a traditional harp, the drop is usually 1". Uno shades do not use a harp, but instead have a much larger drop.

This works particularly well for short shades where using a harp would require the use of a small bulb.

